



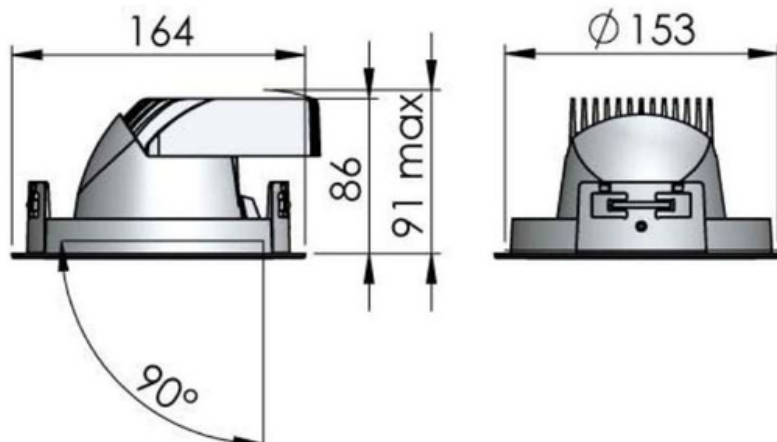
MINI LEAN DL

MINI LEAN DL

Input Power	LED-Module	Color Installation Consistency Type		Material	Lumen Beam Maintenance Angles		Luminaire Color
220 – 240V	Philips 1208 930 PW HE Philips 1208 940 PW HE	Recessed, 2-Step Ceiling MacAdam Mounted Luminaire	Powder Painted Die-Cast Aluminum	50 000h Or 5 Years	L80 B10	S 15°	White (RAL 9016)
						NFL 20°	Silver (Ca. RAL 9006)
						NFL 3d 24°	
						FL 30°	Black (RAL 9005)
						MFL 3d 36°	
						WFL 3d 55°	
						WFL 50°	

Forward Current	COB Type	COB Luminous Flux	Total System Power	System Luminous Flux	Lm/W
600mA	1208 930 PW HE	3.200Lm	23,7W	2.929L	123.
600mA	1208 940 PW HE	3.370Lm	23,7W	m	6
				3.165L	133.
				m	6

Technical drawings:



IP20